

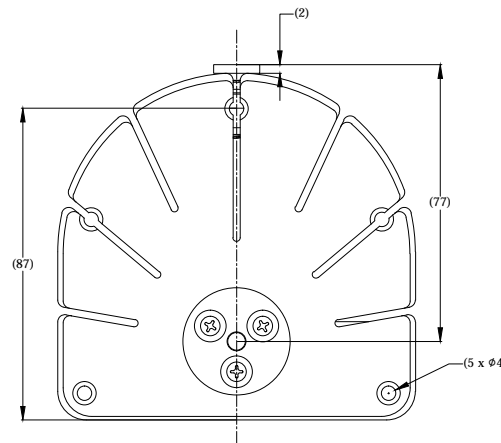
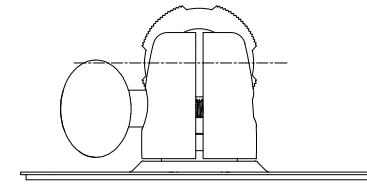
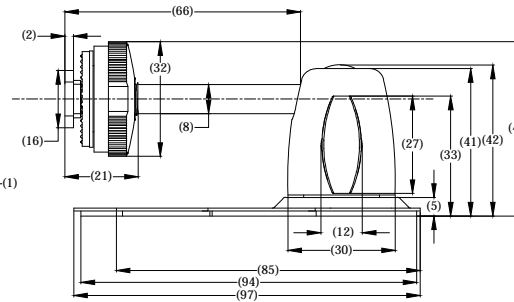
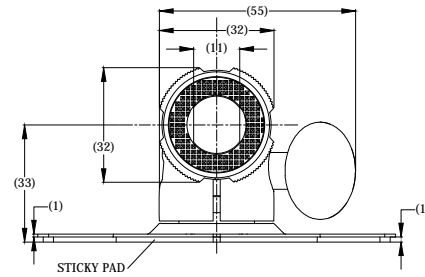
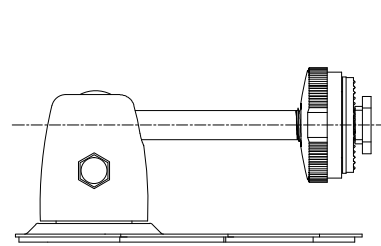
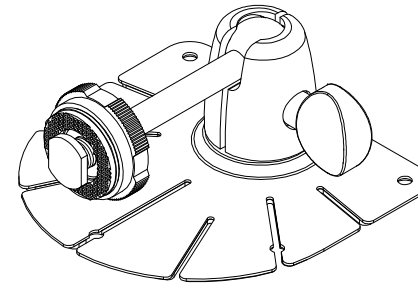
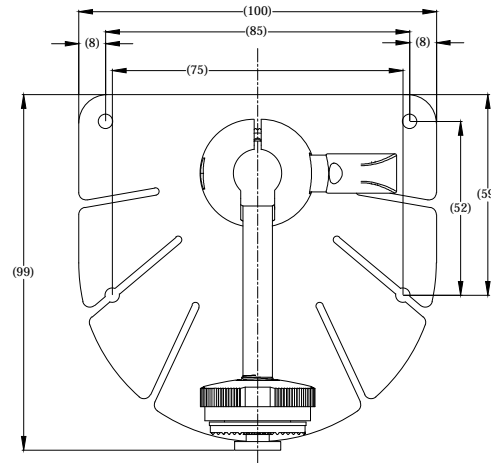
Revision Notes.

R1 - DIMENSIONS UPDATED AS ORIGINALLY ISSUED INCORRECTLY.

APA: -	Drawn:-	Checked:-	Approved:-	Date: 01/02/10
--------	---------	-----------	------------	----------------

R2 - DIMENSIONS CORRECTED TO REFLECT CURRENT PRODUCT.

APA: X.HUANG	Drawn: R.BATES	Checked: B.CHILDS	Approved: G.PLITH	Date: 10/07/13
--------------	----------------	-------------------	-------------------	----------------



NOTES:

1. MATERIAL IS STEEL
2. FINISH IS PAINTED BLACK
3. WHEN SUPPLIED AS A SPARE PART GIFTBOX LABEL TO BE LATEST REVISION OF DRAWING BE-002534-XX-13.

PROPRIETARY NOTICE

THIS DESIGN AND TECHNICAL INFORMATION APPEARING ON THIS DRAWING IS THE PROPERTY OF BRIGADE ELECTRONICS, AND IS DISCLOSED IN CONFIDENCE. IT IS NOT TO BE COPIED, REPRODUCED, REVEALED TO OR EXPROPRIATED BY OTHERS, EITHER IN WHOLE OR IN PART WITHOUT THE EXPRESS WRITTEN CONSENT OF BRIGADE ELECTRONICS.

BRIGADE[®]
www.brigade-electronics.com

Assembly PI Approval -	Approved by S.MATTHEWS	Checked by D.KERAI	Drawn by M.BUTLER
Angle of Projection Third Angle	Units mm	Scale N/A	Released 17/04/09
Status RELEASED		Assembly Ref -	
Part No #3209		BMM-019 BE-000758-02-09	